

Bike Store - Type 03 - Single stand rack

Bike Store - Type 01 - Double rack Stand

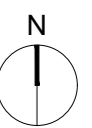
Bike Store - Type 01 & 02 Double rack stand and Wall mount rack

Block A - Bin Store
For additional details in elevation: PLEASE REFER TO ARCHITECTS DRAWING PL 50 - NORTH ELEVATION

Block B - Bin Store

GENERAL NOTES

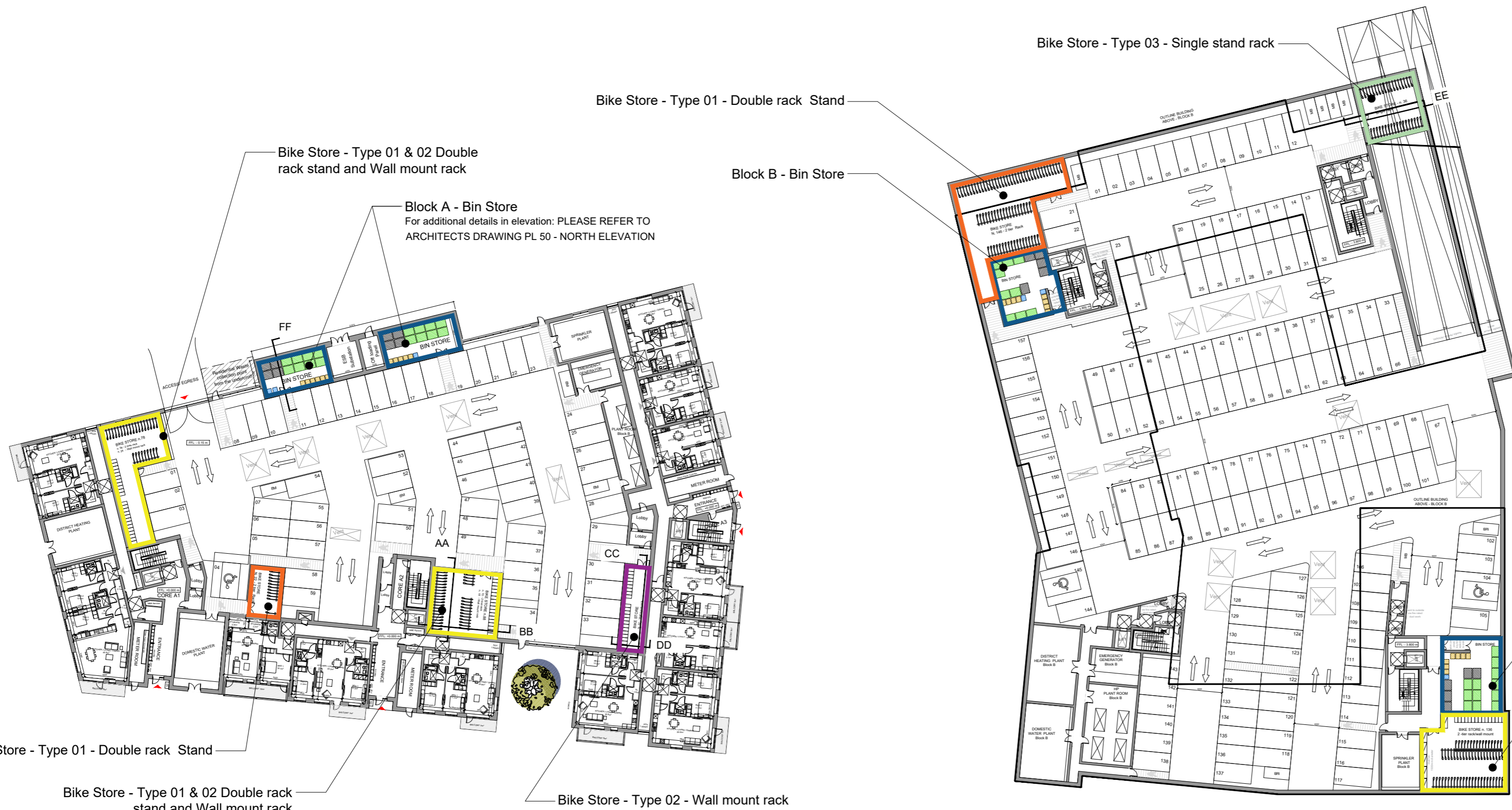
THIS DRAWING TO BE READ IN CONJUNCTION WITH ARCHITECTS DRAWINGS, CONSULTANT ENGINEERS DRAWINGS AND SPECIFICATIONS, AND LANDSCAPE ARCHITECTS DRAWINGS AND SPECIFICATIONS.



- BIN 1100L MDR MIXED DRY RECYCLABLE
- BIN 1100L MNR MIXED NON RECYCLABLE
- BIN 240L GLASS
- BIN 240L ORGANIC

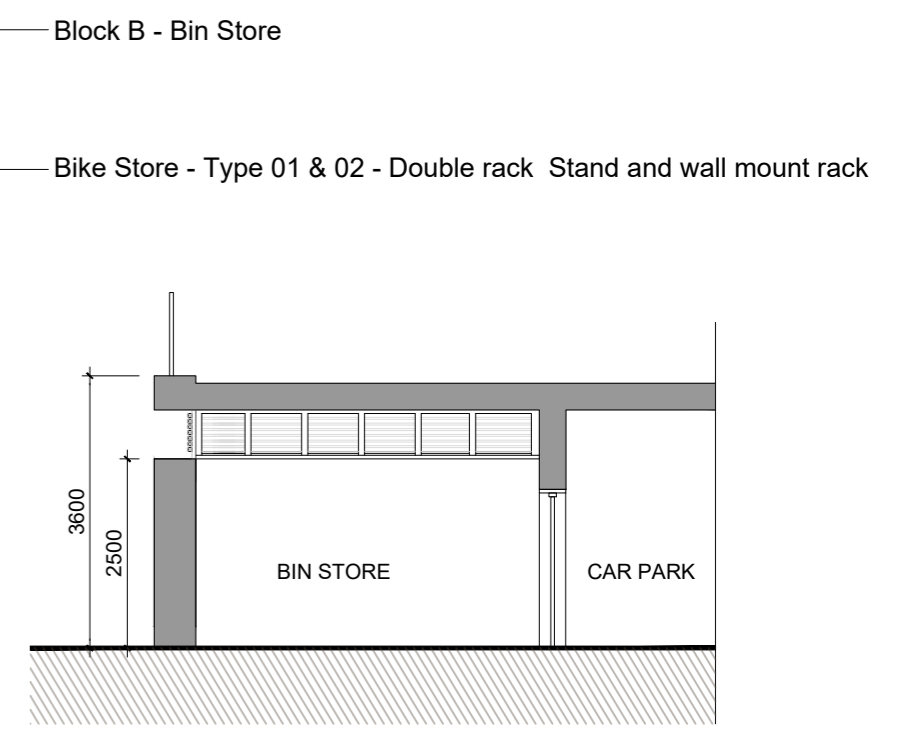
LEGEND

- Bike Store - Type 01 - Double rack Stand
- Bike Store - Type 02 - Wall mount rack
- Bike Store - Type 03 - Single rack Stand
- Bike Store - Type 01 & 02 Double rack stand and Wall mount rack
- BIN STORE AREA

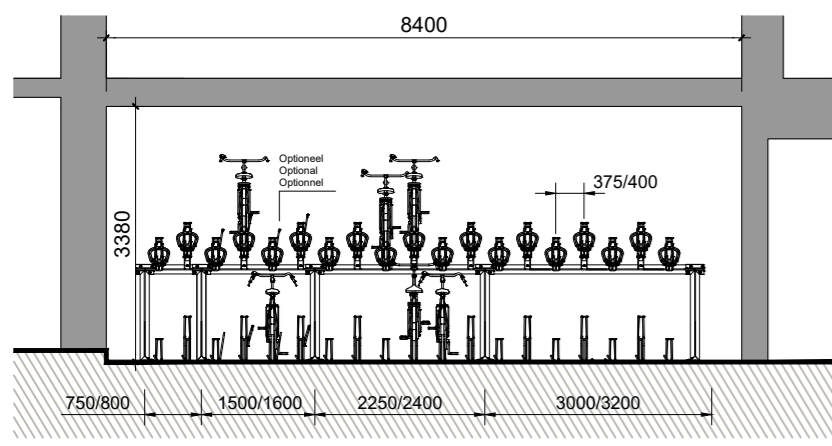


Block A1/A2 - Ground Floor Plan
Scale 1:500

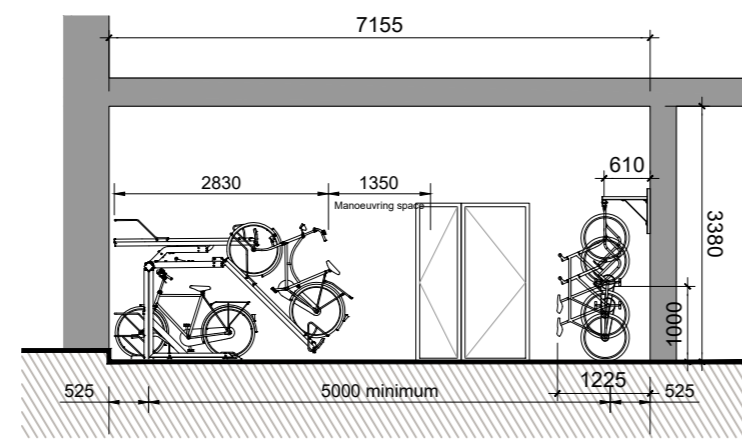
Block B - Basement Plan
Scale 1:500



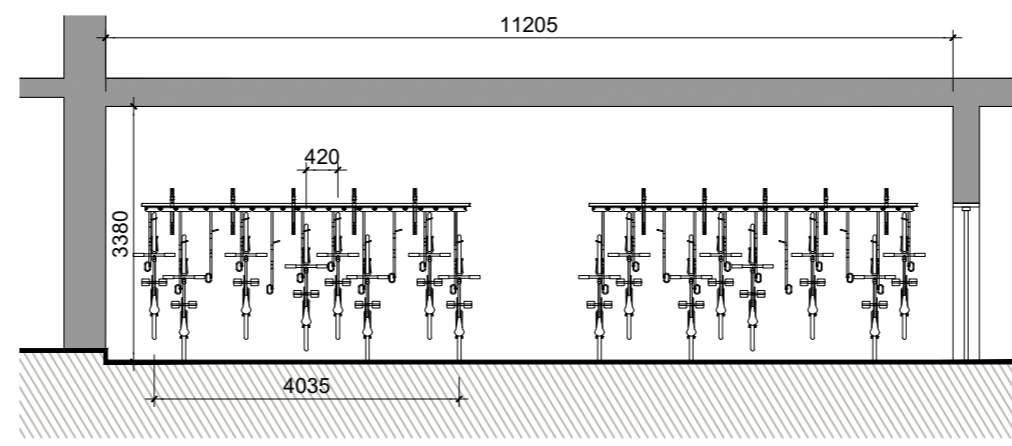
SECTION FF
Bin Store Block A1/a2
Scale 1:100



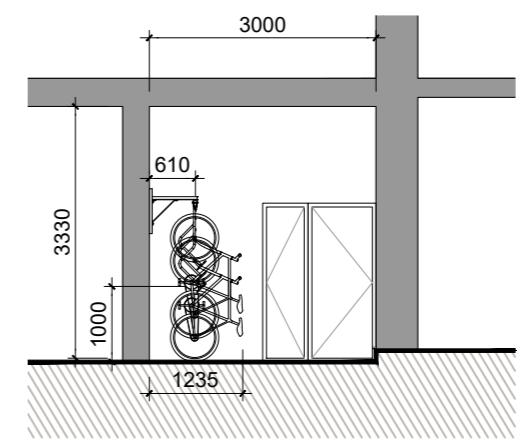
SECTION AA
Bike Store Type 01 - Double rack Stand
Scale 1:100



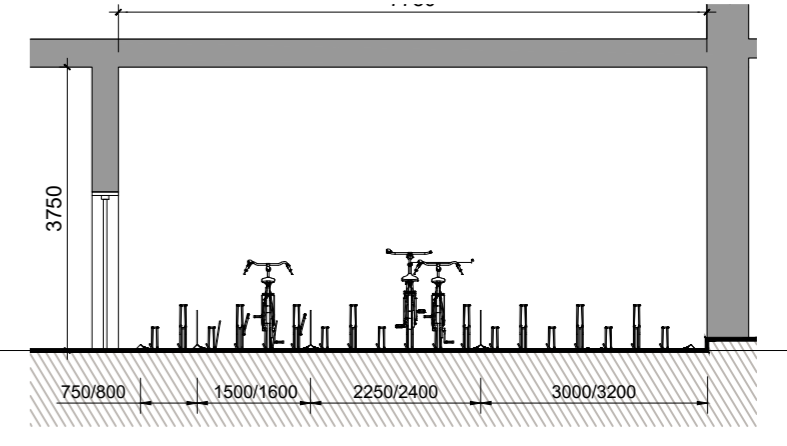
SECTION BB
Bike Store Type 01 & 02 Double rack stand and Wall mount rack
Scale 1:100



SECTION CC
Bike Store Type 02 - Wall mount rack
Scale 1:100



SECTION DD
Bike Store Type 02 - Wall mount rack
Scale 1:100



SECTION EE
Bike Store Type 03 - Single Rack
Scale 1:100

NOTES:

DO NOT SCALE FROM DRAWINGS. WORK TO FIGURED DIMENSIONS ONLY. ARCHITECT TO BE NOTIFIED OF ALL DISCREPANCIES.

REVISIONS		
DATE	DESCRIPTION	No.

CLIENT:
CAIRN
CAIRN Homes Properties Ltd

M C O R M
M^C CROSSAN O'ROURKE MANNING ARCHITECTS

PROJECT TITLE: SHD AT HOLYBANKS, SWORDS	DATE: Mar22	DRAWN BY: IDF
DRAWING TITLE: BICYCLE & BIN STORE DETAILS - Sheet 2 of 2	SCALE: varies @A2	REVISION:
1 Grantham Street, Dublin 8, D08 A49Y, Ireland. Tel: 01-4788700 Fax: 01-4788711 E-Mail: arch@mcorm.com	JOB NO: 19022	DRAWING NO: PL64